

# MLZ-KX06NL

## 6,000 BTU/H CEILING-MOUNTED INDOOR UNIT



Job Name:

System Reference:

Date:



### GENERAL FEATURES

- Auto Vane Control: Outlet vanes can be moved left and right, and up and down using the remote controller. This improved air flow control feature solves the problem of drafts
- Adjustable fan speeds and vane directions
- Wi-Fi enabled units pair with the Comfort app for complete control over temperature, fan speeds, modes, schedules, and more.
- Weekly Timer Function: Easily set desired temperatures and operation ON/OFF times to match lifestyle patterns. Reduce wasted energy consumption by using the timer to prevent forgetting to turn off the unit and eliminate temperature setting adjustments.
- Washable antibacterial and deodorizing filter
- Stylish, square design panel
- Serviceable from the bottom (electrical and flare connections)
- Multiple control options including: Hand-held Remote Controller (provided with unit), comfort app, third-party interfaces and both wired and wireless controllers
- Fits between 16" joists spacing
- Econo Cool: Econo Cool temporarily and automatically adjusts the airflow based on heat exchanger temperature. The set temperature is increased slightly, which saves energy, while maintaining comfort.
- Built-in condensate lift mechanism (19.6"): Reduces the need for an additional pump to remove condensate water

Specifications			System
Unit Type			MLZ-KX06NL
Cooling Capacity (Nominal) <sup>1,3</sup>	Cooling Capacity (Nominal)	Btu/h	6,000
Heating Capacity (Nominal) <sup>2,3</sup>	Heating Capacity (Nominal)	Btu/h	7,200
Electrical	Voltage, Phase, Frequency	V AC / V AC, ø, Hz	208 / 230, 1, 60
	MCA	A	1
	MOCP	A	1
Indoor Unit	Fan Motor Type		DC Motor
	Fan Motor Output	W	30
	Airflow Rate at Cooling, Dry	CFM	152, 166, 184, 198
	Airflow Rate at Heating, Dry	CFM	152, 173, 194, 212
	Sound Pressure Level [Cooling]	dB (A)	29, 31, 34, 36
	Sound Pressure Level [Heating]	dB (A)	29, 32, 35, 37
	Unit Dimensions (W x D x H)	inch x inch x inch [mm x mm x mm]	33-3/16 x 11-7/8 x 7-11/16 [842 x 301 x 194]
	Package Dimensions (W x D x H)	inch x inch x inch [mm x mm x mm]	35-7/8 x 14-3/16 x 12-1/4 [910 x 360 x 310]
Refrigerant	Unit Weight	lbs [kg]	25 [11.30]
	Package Weight	lbs [kg]	29 [13]
Piping	Refrigerant	Type	R454B
	Liquid Pipe Size O.D.	inch [mm]	1/4 [6.35]
Drain Pipe	Gas Pipe Size O.D.	inch [mm]	3/8 [9.52]
	Drain Pipe Size O.D.	inch [mm]	1-1/16 [26]

**NOTES**

<sup>1</sup>Cooling at 95°F (Indoor: 80°F DB, 67°F WB // Outdoor: 95°F DB, 75°F WB)

<sup>2</sup>Heating at 47°F (Indoor: 70°F DB, 60°F WB // Outdoor: 47°F DB, 43°F WB)

<sup>3</sup>Nominal capacity only. Actual capacity output varies based on the system-specific configuration.

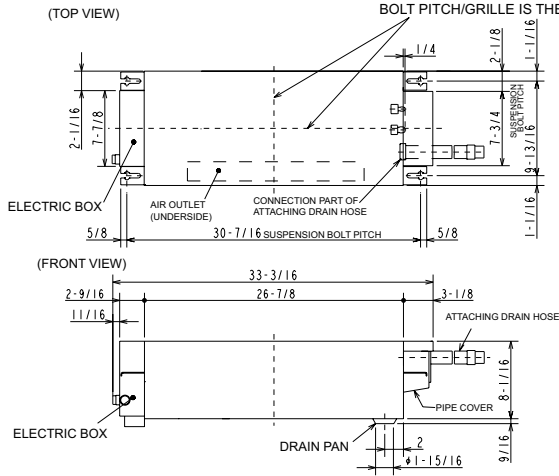
## INDOOR UNIT ACCESSORIES: MLZ-KX06NL

Wired Remote Controller	Deluxe Wired MA Remote Controller <sup>1</sup>	PAR-42MAAUB
	Simple Direct Wired Remote Controller <sup>1</sup>	PAC-SDW01RC-1
	Simple MA Remote Controller <sup>1</sup>	PAC-YT53CRAU-J
	Touch MA Wired Remote Controller <sup>1</sup>	PAR-CT01MAU-SB
Grille	Grille (required)	MLP-448WU
Disconnect Switch	30A600VUL fits 2 X 4 utility box - Black	TAZ-MS303
	30A600VUL fits 2 X 4 utility box - White	TAZ-MS303W
Lineset	15 x 1/4 x 15 3/8 Lineset Twin-Tube Insulation	MLS143812T-15
	30 x 1/4 x 30 3/8 Lineset Twin-Tube Insulation	MLS143812T-30
	50 x 1/4 x 50 3/8 Lineset Twin-Tube Insulation	MLS143812T-50
	65 x 1/4 x 65 3/8 Lineset Twin-Tube Insulation	MLS143812T-65
Control Interface	Airzone Wired Blueface Controller Black	AZZBSBLUEZEROCN
	Airzone Wired Blueface Controller White	AZZBSBLUEZEROCB
	Airzone Wireless Lite Controller Black	AZZBSLITERN
	Airzone Wireless Lite Controller White	AZZBSLITERB
	Airzone Wireless Think Controller Black	AZZBSTHINKRN
	Airzone Wireless Think Controller White	AZZBSTHINKRB
	IT Extender for kumo station	PAC-WHS01IE-E
	kumo station for the Comfort app	PAC-WHS01HC-E
	M-Net I/O Control Interface for M-Series <sup>2</sup>	MAC-334IF-E
	Procon BACnet and Modbus Interface	PAC-UKPRC001-CN-1
	Thermostat Interface for 3rd Party Thermostats	PAC-US445CN-1
Wireless Interface Adapter for the Comfort app	PAC-USWHS002-WF-2	
Condensate	Blue Diamond Advanced Mini Condensate Pump w Reservoir Sensor 208230V recommended	X87-721
	Blue Diamond MaxiBlue Advanced Mini Condensate Pump w Reservoir Sensor 110V up to 48000 BTUH recommended	X87-711
	Blue Diamond MegaBlue Advanced Condensate Pump w Reservoir Sensor	X87-835
	Blue Diamond MicroBlue Mini Condensate Pump 110208230V up to 18000 BTUH	X86-003
	Blue Diamond Sensor Extension Cable 15 Ft	C13-103
	Refco Condensate Pump 100-240 VAC up to 120000 BTUH	COMBI
	Sauermann Condensate Pump	SI30-230
Wireless Remote Controller	Lockdown Bracket for Wireless Handheld Remote Controllers	RCMKP1CB
	RedLINK Wireless Remote Controller	MHK2
Drain Hose	Flexible Mini-Split Drain Hose	DRX-16
Filter	Anti-allergy Enzyme Filter	MAC-408FT-E
	Microparticle Filter	MAC-EMF515FT-E
Power Supplies and Auxiliary Components	Backup Heat Relay Kit Adapter for CN24 or CN152 Connector	CN24RELAY-KIT-CM3
Remote Sensor	Remote Temperature Sensor for MFZ MLZ and MSZ models	M21EAA307
	Wireless temperature and humidity sensor for the Comfort app	PAC-USWHS003-TH-1
<p>NOTES</p> <p><sup>2</sup>Allows IDU Connection to MA Controller:            Deluxe MA Remote Controller            Simple MA Controller            Touch MA Controller</p> <p><sup>1</sup>Requires MAC-334IF-E Interface to connect MA controller  <sup>1</sup>Requires MAC-334IF-E Interface to connect MA controller  <sup>1</sup>Requires MAC-334IF-E Interface to connect MA controller  <sup>1</sup>Requires MAC-334IF-E Interface to connect MA controller</p>		

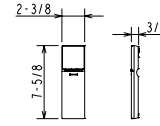
# INDOOR UNIT DIMENSIONS: MLZ-KX06NL

## MLZ-KX06NL-U1

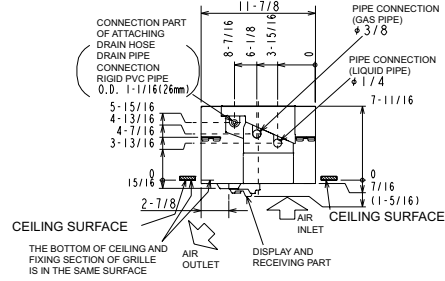
### INDOOR UNIT OUTLINE DRAWING



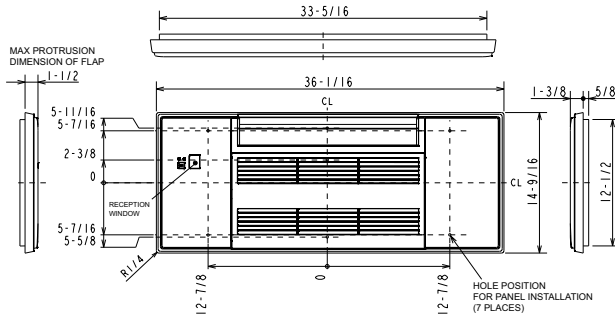
### REMOTE CONTROLLER OUTLINE DRAWING



### (RIGHT SIDE VIEW)



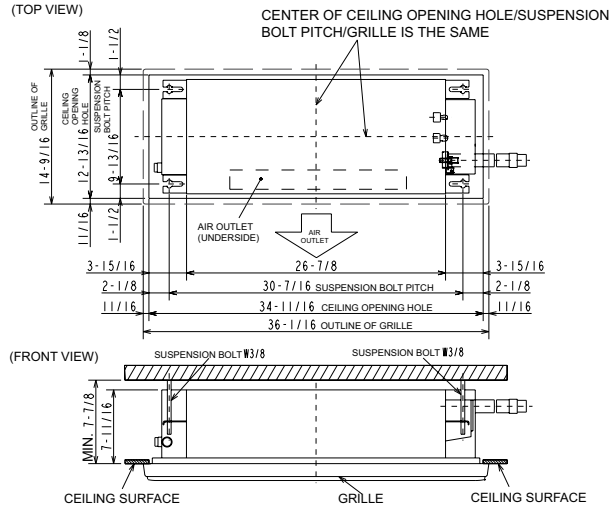
### GRILLE OUTLINE DRAWING (MLP-448WU)



EXTENSION PIPE	LIQUID PIPE O.D.	φ 1/4
	GAS PIPE O.D.	φ 3/8
CONNECTION OF PIPE	LIQUID PIPE	FLARED CONNECTION φ 1/4
	GAS PIPE	FLARED CONNECTION φ 3/8
DRAIN HOSE	HEAT INSULATOR O.D.	φ 1
	CONNECTION O.D.	φ 1
DRAIN PIPE CONNECTION	EFFECTIVE LENGTH	18-15/16
		RIGID PVC PIPE O.D. φ 1-1/16 (26mm)

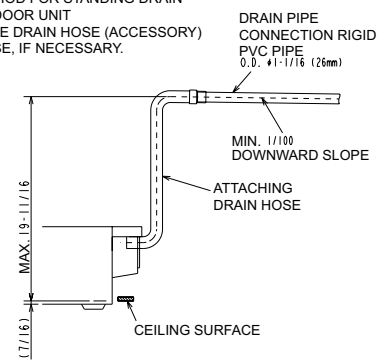
NOTE 1. CUT THE DRAIN HOSE (ACCESSORY) FOR USE, IF NECESSARY.

### INDOOR UNIT DETAIL VIEW



### THE METHOD FOR STANDING DRAIN FROM INDOOR UNIT

\* CUT THE DRAIN HOSE (ACCESSORY) FOR USE, IF NECESSARY.



1340 Satellite Boulevard Suwanee, GA 30024  
 Toll Free: 800-433-4822 <https://mitsubishicomfort.com>